

INTEQ *Distributors*



2024 RETAIL PRICE LIST

February 1, 2024

Inteq Distributors

624 Krona Drive

Suite 110

Plano, TX 75074

(405) 789-9900

www.inteqdistributors.com

Futtura GradeMetrix Systems		MSRP
MODEL	FR500 GradeMetrix Dozer System	\$ 26,845.00
980-3002-10	FR500 GNSS Dual Smart Antenna	
980-2073-10	FMD-1 Machine Display Kit w/GradeMetrix Software	
980-5007-10	FR500 Dozer Install Kit	
MODEL	FR1000 GradeMetrix Dozer System	NEW! \$ 29,425.00
980-3003-10	FR1000 GNSS Receiver w/Dual F46 Antennas	
980-2073-10	FMD-1 Machine Display Kit w/GradeMetrix Software	
980-5022-10	FR1000 Dozer Install Kit	
MODEL	FR500 GradeMetrix Excavator System	\$ 29,845.00
980-3002-10	FR500 GNSS Dual Smart Antenna	
980-2073-10	FMD-1 Machine Display Kit w/GradeMetrix Software	
980-5008-10	FR500 Excavator Install Kit	
MODEL	FR1000 GradeMetrix Excavator System	\$ 31,845.00
980-3003-10	FR1000 GNSS Receiver w/Dual F46 Antennas	
980-2073-10	FMD-1 Machine Display Kit w/GradeMetrix Software	
980-5009-10	FR1000 Excavator Install Kit	
MODEL	FR500 GradeMetrix Loader System	NEW! \$ 29,885.00
980-3002-10	FR500 GNSS Dual Smart Antenna	
980-2073-10	FMD-1 Machine Display Kit w/GradeMetrix Software	
980-5010-10	FR500 Loader Install Kit	
MODEL	FR1000 GradeMetrix Loader System	NEW! \$ 31,845.00
980-3003-10	FR1000 GNSS Receiver w/Dual F46 Antennas	
980-2073-10	FMD-1 Machine Display Kit w/GradeMetrix Software	
980-5011-10	FR1000 Loader Install Kit	
MODEL	FR1000 GradeMetrix Scraper System	NEW! \$ 23,995.00
980-3009-10	FR1000 GNSS Receiver w/Single F46 Antenna	
980-2073-10	FMD-1 Machine Display Kit w/GradeMetrix Software	
980-2021-10	FR1000 Scraper Install Kit	
Futtura SiteMetrix Systems		MSRP
MODEL	Dual F631 SiteMetrix Grade System	\$ 26,360.00
980-2070-10	F631 Smart Antenna, Dual Kit	
980-2072-10	FT20 Windows Tablet (w/Modem) & SiteMetrix Grade Software	
MODEL	Single F631 SiteMetrix Grade System	\$ 15,990.00
980-2069-10	F631 Smart Antenna, Single Kit	
980-2072-10	FT20 Windows Tablet (w/Modem) & SiteMetrix Grade Software	
Antennas		MSRP
980-2070-10	F631 Smart Antenna, Dual Kit	\$ 19,990.00
980-2069-10	F631 Smart Antenna, Single Kit	\$ 9,995.00
980-3002-10	FR500 GNSS Dual Smart Antenna	\$ 12,900.00
980-3003-10	FR1000 GNSS Receiver w/Dual F46 Antennas	\$ 13,950.00
980-3009-10	FR1000 GNSS Receiver w/Single F46 Antenna	\$ 12,000.00
Install Kits		MSRP
980-5007-10	FR500 Dozer Install Kit	\$ 5,350.00
980-5008-10	FR500 Excavator Install Kit	\$ 8,350.00
980-5010-10	FR500 Loader Install Kit	\$ 8,390.00
980-5022-10	FR1000 Dozer Install Kit	\$ 6,880.00
980-5009-10	FR1000 Excavator Install Kit	\$ 9,300.00
980-5011-10	FR1000 Loader Install Kit	\$ 9,245.00
980-2021-10	FR1000 Scraper Install Kit	\$ 3,400.00
Tablets		MSRP
980-2072-10	FT20 Windows Tablet (w/Modem) & SiteMetrix Grade Software	\$ 5,995.00
980-2073-10	FMD-1 Machine Display Kit w/GradeMetrix Software	\$ 8,595.00
Futtura 3D Accessories		MSRP
980-5001-10	F631 Base Accessory Kit	\$ 375.00
150-1026-0	F631 400MHz Whip Antenna (TNC)	NEW! \$ 66.00
427-0060-0	F631 Battery Charger Adapter	NEW! \$ 110.30
427-0067-0	F631 Battery	NEW! \$ 215.00
050-0022-01	FMD-1 Power Cable, 3 Pin Adapter to FMD-1	NEW! \$ 60.00
050-0046-01	FMD-1 Power Cable, Battery to 3 Pin Adapter	NEW! \$ 60.00
051-0420-10	Cable, FR1000 Excavator Chassis, 12 to 2x6 Pin, 5m	NEW! \$ 215.00
051-0415-10	Cable, RG213,N-Type,Male with Caps, 25ft	NEW! \$ 385.00
051-0426-10	FMD-1 Bulkhead Cable	NEW! \$ 127.00
750-5019-20	FS-V Vertical Sensor	NEW! \$ 875.00
750-5020-20	FS-H Horizontal Sensor	NEW! \$ 875.00

Futura GradeMetrix and SiteMetrix Dealer Tiers

Tier A Dealer

Dealers are eligible for multi-unit discounts of 35% for two or more systems on one purchase order.

Dealers are required to:

- Provide front line training & support for end users
- Have a minimum of one fully trained staff member
- Maintain at least one full system in stock for demonstration and support

Tier B Dealer

Dealers are eligible for a discount of 30% on single system orders.

Dealers are required to:

- Provide front line training & support for end users
- Have a minimum of one fully trained staff member

Tier C Dealer

Dealer gets 15% discount for any quantity of systems ordered.

Dealer pays for Training & Support per the following fee schedule:

- On Site = \$1200 a day + travel expenses
- 3-Hour Session (remote) = \$500
- Hourly Rate (remote) = \$200

Futtura Econograde Machine Control Systems		MSRP
MODEL	EG1 System w/Single Receiver	\$ 2,745.00
KIT-EG1(F)	Kit, EG1 - Complete Cable Set, Mounting Hardware, Carry Case and Basic Remote Switch	\$ 495.00
CB-EG1(F)	EG1 Control Box (Plastic Housing)	\$ 810.00
RC-EG1(F)	EG Series Receiver 7"	\$ 1,440.00
MODEL	EG1-M System w/Single Receiver and Metal Housing	\$ 3,295.00
KIT-EG1-M(F)	Kit, EG1-M - Complete Cable Set, Mounting Hardware, Carry Case	\$ 760.00
CB-EG1-M(F)	EG1 Control Box (Metal Housing)	\$ 1,095.00
RC-EG1(F)	EG Series Receiver 7"	\$ 1,440.00
MODEL	EG2-S System w/Single Receiver and Slope	\$ 4,745.00
KIT-EG2-S(F)	Kit, EG2-S - Complete Cable Set, Mounting Hardware, Carry Case	\$ 885.00
CB-EG2(F)	EG2 Control Box	\$ 1,325.00
RC-EG1(F)	EG Series Receiver 7"	\$ 1,440.00
BS-10(F)	Blade Sensor 10 Bit	\$ 1,095.00
MODEL	EG2-D System w/Dual Receiver	\$ 5,295.00
KIT-EG2-R(F)	Kit, EG2-D - Complete Cable Set, Mounting Hardware, Carry Case	\$ 1,090.00
CB-EG2(F)	EG2 Control Box	\$ 1,325.00
RC-EG1(F)	EG Series Receiver 7"	\$ 1,440.00
RC-EG1(F)	EG Series Receiver 7"	\$ 1,440.00
MODEL	Somero EG Series Receiver 7"	NEW! MSRP
SR-S(F)	EG Somero Receiver	\$ 1,995.00
103225	SR-S Receiver Coil Cord	\$ 435.00
MODEL	EG Installation Kits	MSRP
KIT-EG2-FM(KUB)	Kit, Cable Set for BB30 Blade to Kubota 14-Pin Connector	\$ 1,090.00
KIT-EG2-KB	Kubota Skid Steer to Bobcat Attachment	\$ 1,545.00
Level Best Installation Kits		MSRP
MODEL	Push Grading Box Single Kits	
EG1-LB-KUB-PS	Kubota Front Mount Wire Harness Kit, Single	\$ 725.00
EG1-LB-DER-PS	John Deere Front Mount Wire Harness Kit, Single	\$ 725.00
EG1-LB-CAT-PS	CAT Front Mount Wire Harness Kit, Single	\$ 725.00
EG1-LB-BCT-PS	Bobcat Front Mount Wire Harness Kit, Single	\$ 725.00
EG1-LB-TAK-PS	Takeuchi Front Mount Wire Harness Kit, Single	\$ 725.00
EG1-LB-JCB-PS	JCB Front Mount Wire Harness Kit, Single	\$ 725.00
EG1-LB-ASV-PS	AVS Front Mount Wire Harness Kit, Single	\$ 725.00
EG1-LB-NH-PS	New Holland Front Mount Wire Harness Kit, Single	\$ 725.00
EG1-LB-WN-PS	Wacker Neuson Front Mount Wire Harness Kit, Single	\$ 725.00
EG1-LB-GHL-PS	Gehl Front Mount Wire Harness Kit, Single	\$ 725.00
MODEL	Push Grading Box Dual Kits	MSRP
EG2-LB-KUB-PD	Kubota Front Mount Wire Harness Kit, Dual	\$ 1,095.00
EG2-LB-DER-PD	John Deere Front Mount Wire Harness Kit, Dual	\$ 1,095.00
EG2-LB-CAT-PD	CAT Front Mount Wire Harness Kit, Dual	\$ 1,095.00
EG2-LB-BCT-PD	Bobcat Front Mount Wire Harness Kit, Dual	\$ 1,095.00
EG2-LB-TAK-PD	Takeuchi Front Mount Wire Harness Kit, Dual	\$ 1,095.00
EG2-LB-JCB-PD	JCB Front Mount Wire Harness Kit, Dual	\$ 1,095.00
EG2-LB-ASV-PD	AVS Front Mount Wire Harness Kit, Dual	\$ 1,095.00
EG2-LB-NH-PD	New Holland Front Mount Wire Harness Kit, Dual	\$ 1,095.00
EG2-LB-WN-PD	Wacker Neuson Front Mount Wire Harness Kit, Dual	\$ 1,095.00
EG2-LB-GHL-PD	Gehl Front Mount Wire Harness Kit, Dual	\$ 1,095.00
MODEL	Tow Box Kits	MSRP
EG1M-TS	Tow Behind Single Kit	\$ 3,325.00
EG2D-TD	Tow Behind Dual Kit	\$ 5,295.00
MODEL	Valve Cables with Connectors	MSRP
102196-TD	EG2 Valve Cable 18' w/ Deutsch Connectors	\$ 305.00
102450-TS	EG1-M Valve Cable w/ Deutsch Connectors	\$ 280.00
MODEL	EG System Cables	MSRP
LWH07	Kubota Front Mount Wire Harness	\$ 680.00
LWH07JDLB	Wiring Harness - JD Skid Steer to Level Best Grader Attachment	\$ 875.00
102198	EG2/EG1-M Power Cable 18Ft	\$ 195.00
102196	EG2 Valve Cable 18Ft	\$ 290.00
102450	EG1-M Valve Cable 18Ft	\$ 265.00
102196-28	EG2 Valve Cable 28Ft	\$ 445.00
102740	Topcon-EG Series Receiver Coil Cable	\$ 325.00
102585	Bullseye-EG Series Receiver Coil Cable	\$ 325.00
102445	EG1-M Receiver Extension Cable 18Ft	\$ 133.00
102440	EG2/EG1-M Receiver Coil Cable	\$ 441.00
102985	Receiver Coil Cable for LR410	\$ 325.00
102141	12' Sensor Cable (EG3 Series)	NEW! \$ 135.00
102323	9' Receiver Cable w/ Coil (EG1)	NEW! \$ 230.00
102765	EG2 Node Cable 18Ft	\$ 430.00
102820	EG2 Node Cable 2Ft	\$ 325.00
102980	EG2 CAN Node Cable 7Ft for LR410 Receivers	\$ 765.00
102920	EG2 Node Extension Cable 28Ft	\$ 315.00

Futtura Econograde Machine Control Systems (Continued)			MSRP
MODEL	EG System Accessories		
EG-SR	Premium Remote Switch - Single		\$ 275.00
EG-DR5	EG Dual Remote, 10Ft	NEW!	\$ 365.00
EG-DR	Premium Remote Switch - Dual		\$ 330.00
102890	Ball A/M Remote Switch		\$ 645.00
EG-MAST(F)	Manual Mast Only		\$ 525.00
EG-MAST-4	Manual Mast, 4Ft	NEW!	\$ 525.00
102785	Single Mast Mount - Kubota		\$ 645.00
102395	Side-Mount Clamp for EG Receiver		\$ 165.00
102238	EG2/EG1-M Ram Rail Mount 1.5" Ball		\$ 40.00
102237	EG2/EG1 Ram Mount 1.5"		\$ 100.00
101900	EG2/EG1-M Control Box Mounting Bracket (U-Mount)		\$ 95.00
102316	EG2/EG1-M Carry Case		\$ 225.00
Futtura iDig Touch Systems			MSRP
XD610	Futtura iDig Touch 2D System		\$ 11,550.00
XD611	Futtura iDig Touch 2D System w/ Big Combo Sensor		\$ 12,175.00
MODEL	Futtura iDig Touch Machine Kits		MSRP
XD527	iDig Machine Kit, Touch 2D (XD610)		\$ 1,100.00
XD528	iDig Machine Kit, Touch 2D (XD611/XD612)	NEW!	\$ 1,200.00
MODEL	Futtura iDig Touch Accessories		MSRP
XD403	Tilt B Sensor Only		\$ 950.00
XD412	Sensor Plate for Combo and 2D Sensors (Lever Style)		\$ 125.00
XD413	Removal Key		\$ 5.00
XD416	Adhesive Tape		\$ 5.00
XD417	Cleaning Pad		\$ 1.00
XD418	Touch Connecting Cable		\$ 80.00
XD422	Mini Sensor Plate (Lever Style)		\$ 125.00
XD423	Power Cable w/Cigarette Lighter Plug		\$ 85.00
XD436	Big Combo Plate		\$ 150.00
XD440	Single Suction Cup & Mount		\$ 85.00
AG81320	RAM Triple Suction Cup Base	NEW!	\$ 175.00
XD441	RAM Clamp Mount (for Windowless Cabs)		\$ 80.00
XD445	LED Display		\$ 750.00
XD446	LED Cradle		\$ 240.00
XD461	Combo Sensor (w/o Plate)		\$ 1,100.00
XD462	Big Combo Sensor (w/o Plate)		\$ 1,800.00
XD467	Mini Sensor (w/o Plate)		\$ 895.00
XD476	2D Sensor (w/o plate)	NEW!	\$ 2,600.00
Futtura iDig Connect Systems			MSRP
CT740	iDig CT740 Connect 2D/3D System	NEW!	\$ 14,500.00
CT741	iDig CT741 Connect 2D/3D System w/ Large Combo Sensor	NEW!	\$ 15,300.00
MODEL	Futtura iDig Connect Machine Kits		MSRP
BT527	iDig Machine Kit, Connect (CT740)	NEW!	\$ 2,200.00
BT528	iDig Machine Kit, Connect (CT741)	NEW!	\$ 2,300.00
MODEL	Futtura iDig Connect Accessories		MSRP
XD448	Control Box to Steelwrist Module	NEW!	\$ 220.00
BT142	Connect Series Control Box	NEW!	\$ 6,500.00
BT143	Bluetooth Base for Connect Systems	NEW!	\$ 700.00
BT445	LED Display Bluetooth for Connect Systems	NEW!	\$ 1,150.00
BT144	Bluetooth Mini-Sensor w/o Plate	NEW!	\$ 1,200.00
BT145	Bluetooth Combo-Sensor w/o Plate	NEW!	\$ 1,400.00
BT147	Bluetooth Large Combo Sensor w/o Plate	NEW!	\$ 2,200.00
XD443	iDig Square Plate w/ Ball Mount	NEW!	\$ 95.00
XD470	Pivot Target		\$ 65.00
XD471	Extension Pole, 2 Pcs		\$ 95.00
XD477	Adaptor 5/8" to 5/8"		\$ 40.00
XD478	Adaptor 5/8" to 1/4"		\$ 15.00
XD484	Soft-Sided Carrying Case	NEW!	\$ 120.00
XD525	Laser Pointer	NEW!	\$ 390.00
XD542	Control Box Touch 2D		\$ 5,000.00
XD548	Control Box Cradle, Touch (New Style)		\$ 305.00
XD598	Tilt Bucket Kit w/ Tilt B Sensor		\$ 1,800.00
9625-5000-MCS	Protective Weldment, Large Sensors (Keyed Plates Only)		\$ 80.00
9625-5001-MCS	Protective Weldment, Small Sensors (Keyed Plates Only)		\$ 80.00
9625-5002-MCS	Protective Weldment, Small Sensor (Key or Lever Style)		\$ 80.00
9625-5003-MCS	Protective Weldment, Large Sensor (Key or Lever Style)		\$ 80.00
99130018	Sensor Plate, Large (XD412 Key Style)		\$ 126.00
99130019-1	Sensor Plate, Mini (XD422 Key Style)		\$ 126.00
99130145	Lever for Sensor Plates		\$ 10.00
99130238	CAN Cable Reinforced, 5M (For Engcon Applications)		\$ 225.00
MODEL	Futtura iDig Demo & Test Tools		MSRP
XD433	Kit, Sensor Charger		\$ 375.00
XD434	Charging Unit for Sensor		\$ 185.00
XD455	Demo Excavator in Trolley Carrying Case		\$ 595.00

Futtura Level Master Drainage Systems		MSRP
MODEL		
LM1 Plus	LM1 Plus Slope Indicate System	\$ 1,125.00
LM2-D	LM2-D Slope Control System	\$ 2,145.00
LMS	Electronic Slope Meter	\$ 1,095.00
LMS-S	Electronic Slope Meter System w/ Sensor	\$ 2,195.00
LMS-SS	Steep Slope Meter System w/ Sensor	\$ 2,495.00

Futtura MCB Series Legacy Cables		MSRP
MODEL		
026040-10-MCS	Valve Cable, Single Control - 10Ft	\$ 110.00
026040-15-MCS	Valve Cable, Single Control - 15Ft	\$ 120.00
026040-20-MCS	Valve Cable, Single Control - 20Ft	\$ 130.00
026040-35-MCS	Valve Cable, Single Control - 35Ft	\$ 160.00
024012-10-MCS	Power Cable - 10Ft	\$ 110.00
024012-15-MCS	Power Cable - 15Ft	\$ 117.00
024012-20-MCS	Power Cable - 20Ft	\$ 124.00
024013-10-MCS	Receiver Cable Straight - 10Ft	\$ 154.00
024013-15-MCS	Receiver Cable Straight - 15Ft	\$ 165.00
024013-20-MCS	Receiver Cable Straight - 20Ft	\$ 170.00
024013-35-MCS	Receiver Cable Straight - 35Ft	\$ 190.00
024015-40-MCS	Power Cable for MCR Receivers - 40Ft	\$ 180.00
024019-15-MCS	Junction Block Cable - 15Ft	\$ 440.00
024019-20-MCS	Junction Block Cable - 20Ft	\$ 455.00
026044-10-MCS	Dual Valve Cable - 10Ft	\$ 138.00
026044-15-MCS	Dual Valve Cable - 15Ft	\$ 150.00
026044-20-MCS	Dual Valve Cable - 20Ft	\$ 160.00
024012-10-MCS	Power Cable - 10Ft	\$ 110.00
024012-15-MCS	Power Cable - 15Ft	\$ 117.00
024012-20-MCS	Power Cable - 20Ft	\$ 125.00
010907-15-MCS	Dual Junction Block Cable - 15Ft	\$ 303.00
026047-MCS	Coil Cord - 4Ft / 16Ft Extended	\$ 380.00
026045-MCS	Coil Cord - 3Ft / 12Ft Extended	\$ 270.00
000-200-158	Remote Auto/Manual, Raise/Lower, (Single Receiver)	\$ 425.00
000-200-255	Remote Switch Dual (One Switch per Side, Dual Receiver)	\$ 485.00

Futtura MCB Series Legacy Accessories		MSRP
MODEL		
MCB	Mounting Bracket for Control Box	\$ 58.00
RDM-1	Swivel Mount w/ Suction Cup	\$ 145.00
MMP	Mast Mounting Plate	\$ 111.00
RM2E-3	Rigid Mast 3Ft	\$ 595.00
991604	Universal Battery Charger MCR Receivers	\$ 75.00
010561	Car Lighter Adapter, 12 volt	\$ 35.00

Topcon Horizontal Lasers			MSRP
1021200-50	RL-H5A DB Horizontal Laser Level (Alkaline) w/ LS-80X Receiver	\$	970.00
1021200-16	RL-H5A RB Horizontal Laser Level (Rechargeable) w/ LS-100D Receiver	\$	1,380.00
1021200-73	RL-H5B DB Horizontal Laser Level (Alkaline) w/ LS-80X Receiver	\$	830.00
Topcon Horizontal Laser Accessories			MSRP
1024993-01	DB-79A, Alkaline Battery Holder For RL-H5A	\$	92.00
1024993-02	DB-79B, Alkaline Battery Holder For RL-H5B	\$	92.00
1025029-01	BT-79Q, Rechargeable Battery for RL-H5A or B Series	\$	206.00
1024944-02	AD-17B, Charger for RL-H5A or B Series	\$	63.00
Topcon Sloping Lasers			MSRP
1051612-08	RL-HV1S Single Sloping Laser w/ LS-80X, DB	\$	2,290.00
1051612-09	RL-HV1S Single Sloping Laser w/ LS-100D, RB	\$	2,430.00
1051612-01	RL-HV2S Dual Sloping Laser w/ LS-80X, DB	\$	2,740.00
1051612-02	RL-HV2S Dual Sloping Laser w/ LS-100D, RB	\$	2,890.00
314910712	RL-200 1S DB Single Slope Laser Level (Alkaline) w/ LS-80X Receiver	\$	3,480.00
314910782	RL-200 1S RB Single Slope Laser Level (Rechargeable) w/ LS-100D Receiver	\$	3,920.00
314920712	RL-200 2S DB Dual Slope Laser Level (Alkaline) w/ LS-80X Receiver	\$	4,070.00
314920782	RL-200 2S RB Dual Slope Laser Level (Rechargeable) w/ LS-100D Receiver	\$	5,070.00
Topcon Hand-Held Laser Receivers			MSRP
1054518-01	Kit, LS-80X Laser Receiver w/ Holder 6	<i>NEW!</i>	\$ 385.00
1026030-01	LS-100D Laser Receiver w/ Rod Clamp	\$	375.00
312890112	Holder 6 Rod Clamp for LS-80 Receivers	\$	75.00
1019505-01	Holder LS-100D Clamp Holder-110	\$	85.00
Topcon Machine Receivers			MSRP
1063525-03	Topcon LS-B20/PS Magnetic Receiver	<i>NEW!</i>	\$ 820.00
1063525-04	Topcon LS-B20W Magnetic Receiver w/ BT	<i>NEW!</i>	\$ 1,610.00
1053268-03	Topcon LS-B200/PS Magnetic Receiver	<i>NEW!</i>	\$ 1,470.00
1053268-04	Topcon LS-B200W Magnetic Receiver w/ BT	<i>NEW!</i>	\$ 2,500.00
9090-1601	Magnetic Mount Bracket for LS-B200 Series	<i>NEW!</i>	\$ 399.00
Futtura Combination Laser Receivers			MSRP
CR5-PB	CR5 Combination Laser Receiver w/Plumb w/o Rod Clamp (Magnetic Mount)	<i>NEW!</i>	\$ 1,055.00
CR5-WRD	CR5 Combination Laser Receiver w/Wireless Remote Display	\$	1,295.00
WDS	Replacement Wireless Display	<i>Special Order</i>	\$ 830.00
SR-DC	Tubular Mount for CR5 Receiver	\$	165.00
CR5-RC	Rod Clamp For CR5 Receiver	\$	110.00
SR-CC	Carrying Case for CR5 Receiver	\$	55.00
Tripods			MSRP
60-ALQCI20	Standard Weight Aluminum Tripod w/Quick Clamps	\$	95.00
60-ALQRI20	Heavy Duty Aluminum Tripod w/Quick Clamps	\$	115.00
60-WDF20	Wood/Fiberglass Tripod w/Quick Clamps	\$	240.00
Machine Control Tripods			MSRP
210678-185	Standard Machine Control Tripod - Up To 116"	\$	390.00
210683-185	Heavy Duty Machine Control Tripod - Up To 119"	\$	610.00
210443-185	Giant Machine Control Tripod - Up To 157"	\$	820.00
Grade Rods			MSRP
06-808	8' Aluminum, 3 Section Rod - ft/10ths/100ths	\$	65.00
06-808C	8' Aluminum, 3 Section Rod - ft/inches/8ths	\$	65.00
06-816	16' Aluminum, 4 Section Rod - ft/10ths/100ths	\$	100.00
06-816C	16' Aluminum, 4 Section Rod - ft/inches/8ths	\$	100.00
06-913	13' Fiberglass, 4 Section Rod - ft/10ths/100ths	\$	135.00
06-913C	13' Fiberglass, 4 Section Rod - ft/inches/8ths	\$	135.00
06-916	16' Fiberglass, 5 Section Rod - ft/10ths/100ths	\$	175.00
06-916C	16' Fiberglass, 5 Section Rod - ft/inches/8ths	\$	175.00
06-925	25' Fiberglass, 6 Section Rod - ft/10ths/100ths	\$	280.00
06-925C	25' Fiberglass, 6 Section Rod - ft/inches/8ths	\$	280.00
Laserline Grade Rods and Clamps			MSRP
GR1000	10' Direct Reading Laser Rod, Cut/Fill - Tenths	\$	230.00
GR1000T	10' Direct Reading Laser Rod - Tenths	\$	230.00
GR10T	10' Direct Reading Optical Rod - Tenths	\$	230.00
GR1450	15' Direct Reading Laser Rod, Cut/Fill - Tenths	\$	315.00
GR1450T	15' Lenker Rod - Tenths	\$	315.00
B1	Clamp for CR2, LS-70B/C, LS-80A/B	\$	80.00
UB-1	Universal Clamp (Fits Most Brand Receivers)	\$	85.00
B1-T	Clamp for Spectra HR500	\$	80.00
B-COM	Clamp for CR5	\$	90.00
BLT	Clamp for CR2+	\$	80.00
B1-LA	Clamp for Topcon LS100D	\$	80.00
B1-LS70/80	Clamp for Topcon LS70,80 Futtura CR3	\$	80.00
GR1000-1301	Bag for GR10/1000 Series Rods	\$	50.00
GR1000-1302	Bag for GR1450 Series Rods	\$	35.00

Topcon Pipe Lasers			MSRP
1034437-05	TP-L6B/PB2L Pipe Laser, Red Beam Basic		\$ 4,940.00
1034437-06	TP-L6G/PB2L Pipe Laser, Green Beam Auto Target		\$ 7,385.00
1034437-07	TP-L6BG/PB2L Pipe Laser, Green Beam Basic	Special Order	\$ 6,380.00
1034437-08	TP-L6AV/PB2L Pipe Laser, Red Beam Auto Target	Special Order	\$ 6,100.00
1034437-09	TP-L6GV/PB2L Pipe Laser, Green Beam Auto Target and Laser Plumb	Special Order	\$ 8,400.00
Topcon Pipe Laser Accessories			MSRP
56929	Adjustable Target Kit (Blue)		\$ 115.00
56928	Adjustable Target Kit (Red)		\$ 95.00
329490011	DB-53, Alkaline Battery Holder		\$ 115.00
1042418-01	Battery Holder for TP-L6		\$ 115.00
329380502	BA-2, Charge Adapter for TP-L4, TP-L5 Series		\$ 19.00
1012926-06	AD-13A, AC/DC Charger for TP-L4, TP-L5 Series		\$ 85.00
1039170-02	CDC77 w/ US Cable Flat Pin, Charger for TP-L6 Series		\$ 375.00
329490001	BT-53Q, Ni-MH Battery		\$ 350.00
329340020	PC-17, 12v Power Cord (TP-L3/L4/A/B)		\$ 206.00
1038706-01	BDC72, Li-Ion Battery (7.2V, 5,986mAh) for TP-L6		\$ 355.00
329590002	RC-200 Remote Control for TP-L4, TP-L5		\$ 270.00
1042278-01	Remote Control for TP-L6		\$ 266.00
9210-1022	Tripod Adapter for Over-the-Top Setups		\$ 280.00
329360000	Trivet Handle		\$ 326.00
1036382-01	Trivet Stand w/ Adjustable Pole (Metric)		\$ 415.00
1036382-02	Trivet Stand w/ Adjustable Pole (Ft)		\$ 415.00
Auto Levels			MSRP
1012379-53	Topcon AT-B4A 24X Automatic Level		\$ 355.00
1012379-03	Topcon AT-B3A 28X Automatic Level		\$ 720.00
211022080	Topcon AT-B2 32X Automatic Level		\$ 1,680.00
1009572-53	Sokkia B40 24X Automatic Level		\$ 355.00
1009572-03	Sokkia B30 28X Automatic Level		\$ 720.00
211012080	Sokkia B20 32X Automatic Level		\$ 1,680.00
David White Optical Instruments			MSRP
44-8871	LT8-300P Level/Transit w/ Optical Plummet		\$ 1,370.00
44-8872	LT8-300LP Level/Transit w/ Laser Plummet		\$ 1,430.00
44-8877	LT8-300LTU Universal Optical Line Transit Unit		\$ 1,448.00
44-8879	LT8-300LTU Universal Line Transit w/ Laser Plummet		\$ 1,448.00
Digital Theodolites			MSRP
1034419-08	Topcon DT-309G/PS 9" Digital Theodolite		\$ 3,420.00
1034419-06	Topcon DT-307/PS 7" Digital Theodolite	Special Order	\$ 4,200.00
1034419-04	Topcon DT-305/PS 5" Digital Theodolite	Special Order	\$ 5,040.00
1034419-09	Topcon DT-309LG/PS 9" Digital Theodolite w/Laser Pointer	Special Order	\$ 4,490.00
1034419-07	Topcon DT-307L/PS 7" Digital Theodolite w/Laser Pointer	Special Order	\$ 5,040.00
1034419-05	Topcon DT-305L/PS 5" Digital Theodolite w/Laser Pointer	Special Order	\$ 6,000.00
Total Stations			MSRP
1023562-01	Topcon GM-55/PSBL 5" Total Station w/ BT, Single Display		\$ 6,900.00
1023562-02	Topcon GM-52/PSBL 2" Total Station w/ BT, Dual Display	Special Order	\$ 8,300.00
Optical Accessories			MSRP
303680000	Diagonal Eyepiece For Topcon & Sokkia DT Series Theodolites		\$ 405.00
808200	8.5Ft Pro Series Prism Pole	NEW!	\$ 185.00
808201	12Ft Pro Series Prism Pole	NEW!	\$ 245.00
808202	15Ft Pro Series Prism Pole	NEW!	\$ 300.00
60857	Single Prism w/ Target & Bag	NEW!	\$ 150.00
808903	Tripod Stabilizer	NEW!	\$ 115.00
Layout Tools			MSRP
1035000-11	Topcon LN-150/PSBW, w/ BT+WLAN	NEW! /Special Order	\$ 15,900.00
1034969-01	Topcon FC-6000 Geo Cell Data Collector	NEW!	\$ 3,420.00
61065	Magnet Field 12 Month Subscription	NEW!	\$ 835.00
Layout Accessories			MSRP
1015317-01	FC/SHC6000 RAM Clip Mount	NEW!	\$ 265.00
210152700	ATP2 360 Degree Prism	NEW!	\$ 1,720.00
60218	Robotic Pole, Carbon Fiber	NEW!	\$ 229.00
1003566-01	1Ft. Stakeout Pole	NEW!	\$ 90.00
Futtura Portable Power Box			MSRP
PPB15100	Rechargeable Li-Ion Battery Box	Special Order	\$ 495.00

* Special Order means that there is a possibility that we may not stock the item, but we can easily order from our vendor.

Terms and Conditions

Shipping

All Orders are FOB Plano, TX USA
All orders will be shipped UPS ground, unless communicated differently on Purchase Order.
All freight charges will be added to invoice, unless prepaid by dealer.
Any international shipment must be fully paid before the shipment is released.
All shipments, whether shipped from one of our locations or drop shipped from a vendor, will be insured for the selling price of the goods being shipped.
Shipments with a total value < \$100 are exempt from the insurance requirement.
All costs for freight, handling and insurance will be passed along to the customer. No exceptions.
If a customer refuses to pay insurance, he/she, can waive this charge by signing a shipping release form and returning it prior to shipment.

Handling Fee

A 1% Handling fee of order total at dealer-net will be added to all orders.

Payment Terms

Standard terms are net 30 days, with pre-approved credit and account in good standing.
Invoices will be sent on the date of shipment.
A 1.5% monthly service charge will be applied to past due amounts.
A 3% convenience fee will be added to any order if a credit card is used to pay the invoice.
Applicable credit cards: Visa, MasterCard or American Express.

Contact Us

Office Hours: 7:30am to 5:30pm CST M-F
Telephone: (405) 789-9900
sales@inteqdistributors.com

Minimum Orders

Minimum Order of \$100 per invoice.
Any orders less than \$100 will be assessed a \$15 handling charge.

Drop Shipments

A \$15.00 Drop Shipment fee will be added to each invoice.
Dealer must accept responsibility for shipment upon leaving INTEQ's Warehouse, or shipment will be insured at Dealer cost.

Returns

All returns must have prior approval, and be accompanied by a Return Merchandise Authorization (RMA).
To obtain an RMA contact Inteq at (405) 789-9900.
Returns should be sent freight pre-paid to our Distribution Center at:
624 Krona Dr., Ste. 110
Plano, TX 75074
A 15% restocking charge will be charged on all returns with the following exceptions:
1. Product shipped in error by Inteq.
2. Out-of-box failure. Must be reported with 30 days.
3. Product shipped for demonstration only.
Authorized returns must be in new condition.
All returns will be inspected before credit is issued.

Service

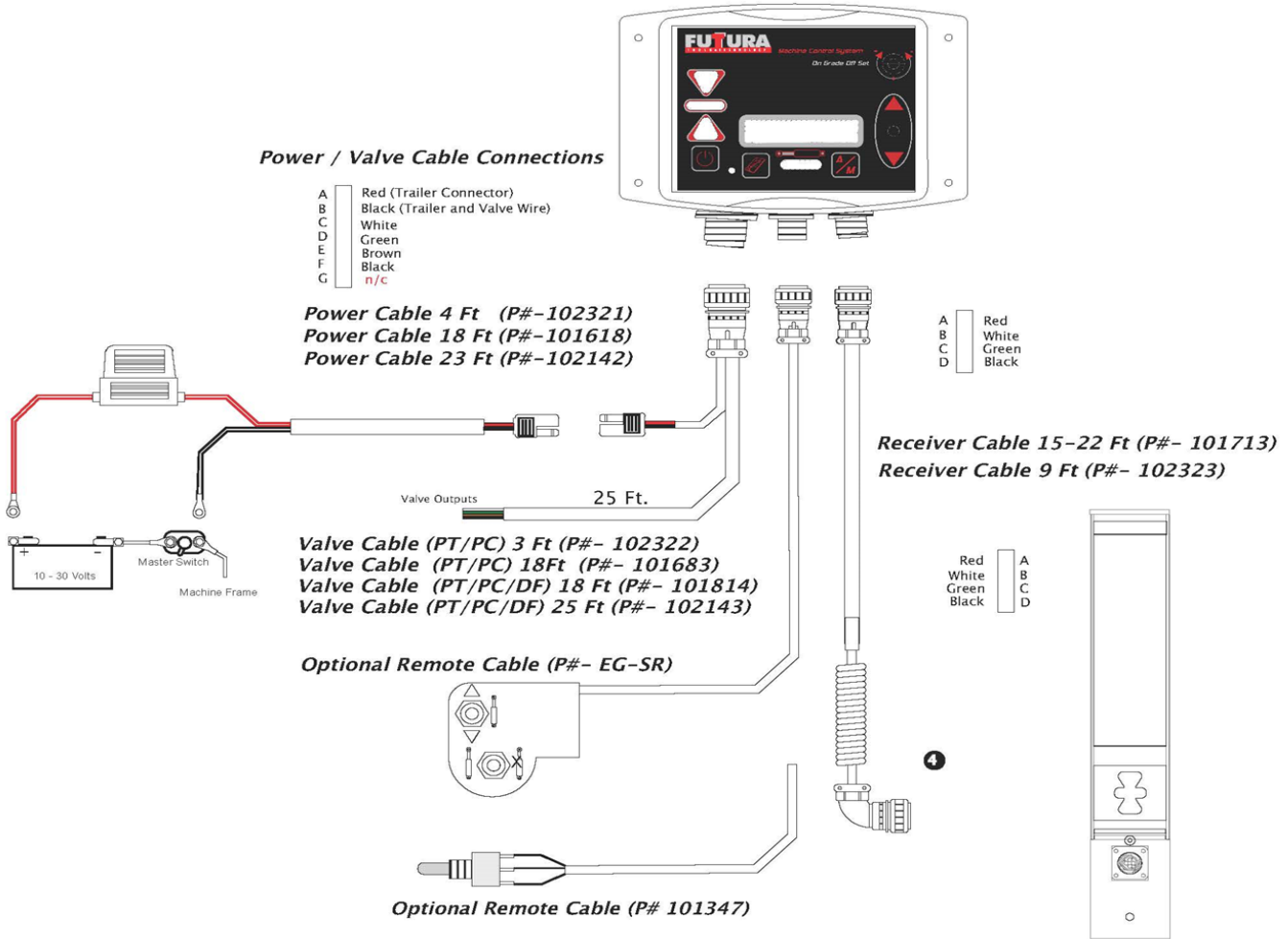
All service items must be accompanied by a Service Request Form which you can receive by contacting your sales representative. All non-warranty service items are subject to a \$100 evaluation fee which will be waived with approval of service estimate.

Inteq Distributors Product Warranties

Manufacturer	Product	Standard Warranty
Topcon	Lasers - Rotating, Slope & Pipe Lasers	5 Years
Topcon/Sokkia	Auto Levels	5 Years
Topcon/Sokkia	Theodolites	2 Years
Topcon/Sokkia	Total Stations	2 Years
Topcon	Receivers	1 Year
Topcon	Accessories	90 Days
Manufacturer	Product	Standard Warranty
Futtura	Horizontal & Slope Lasers	2 Years
Futtura	Auto Levels & Theodolites	1 Year
Futtura	EG1 Receivers	1 Year
Futtura	EG-Control Boxes (EG1, EG2)	1 Year
Futtura	Portable Power Box	1 Year
Futtura	iDig - Components (Serialized Products)	1 Year
Futtura	FR500, FR1000, F46, F631	3 Years
Futtura	FT20	2 Years
Futtura	Cables, Brackets, Accessories, Mounts	90 Days
Manufacturer	Product	Standard Warranty
Site Pro	David White Optical	2 Years

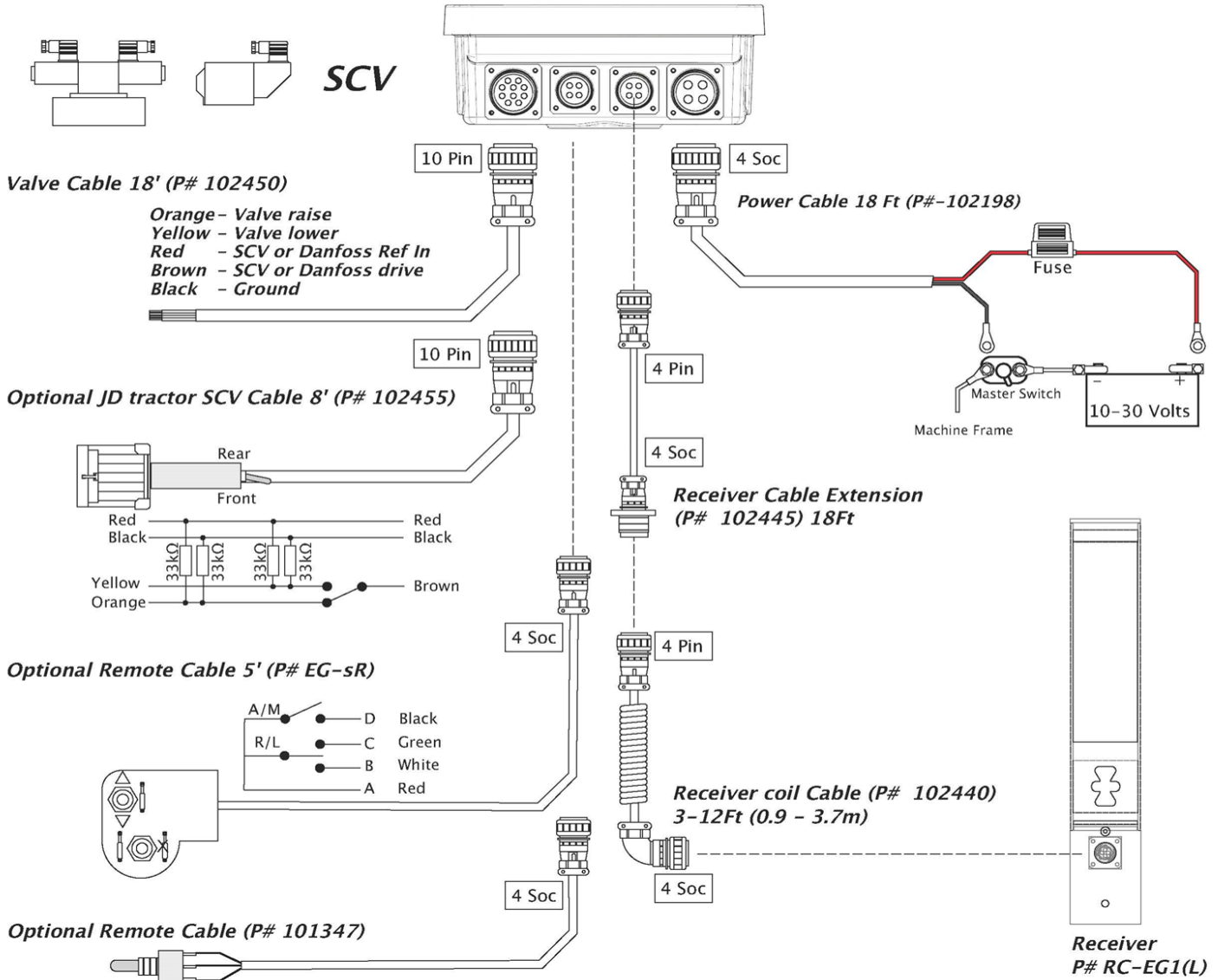
- * All requests for warranty fulfillment require proof of purchase to be supplied to Inteq Distributors.
- * Warranties do not cover mis-use, normal or excessive wear and tear, drops, falls or abuse.
- * Nor does the warranty cover product calibrations and service.
- * All warranties are repair or replace at the discretion of the manufacturer, unless noted otherwise.

Appendix A - EG1 Cable Diagram



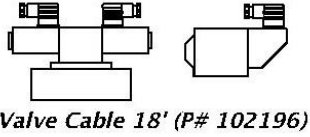
Appendix B - EG1-M Cable Diagram

EG-1M Control Box P# CB-EG1-M

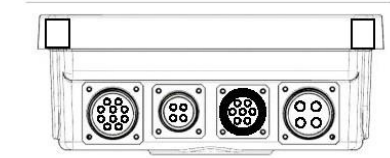


Appendix C EG2 Dual Receiver Cable Diagram

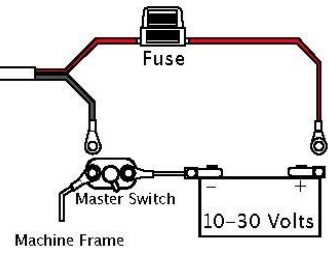
EG-2 Control Box P# CB-EG2-F



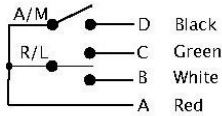
- | | |
|--------------|--|
| A - Red/Blk | - Right Valve Lower Out |
| B - Brown | - Right Valve Raise Out |
| C - Yellow | - Right Danfoss / SCV Out |
| D - Orange | - Right Danfoss Reference / SCV Reference In |
| E - Blue | - Left Valve Lower Out |
| F - Yel/Blk | - Left Valve Raise Out |
| G - Org/Blk | - Left Danfoss / SCV Out |
| H - Blue/Blk | - Left Danfoss Reference / SCV Reference In |
| I - Black | - Valve Ground |
| J - Red | - Valve Ground |



Power Cable 18 Ft (P# 102198)



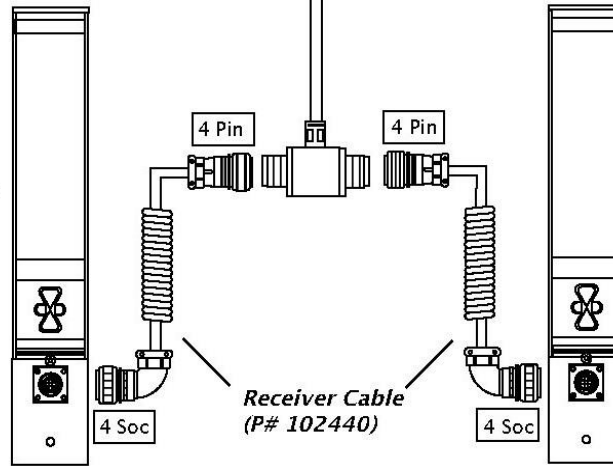
Optional Remote Cable 5' (P# EG-dR)



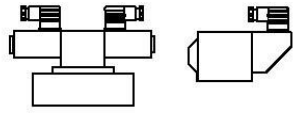
Y Cable (P# 102765)

EG Series Receiver (P# RC-EG1(F))

EG Series Receiver (P# RC-EG1(F))

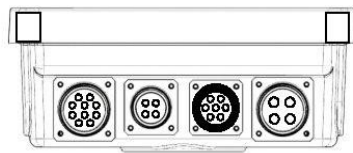


Appendix D - EG2 Receiver + Slope Cable Diagram

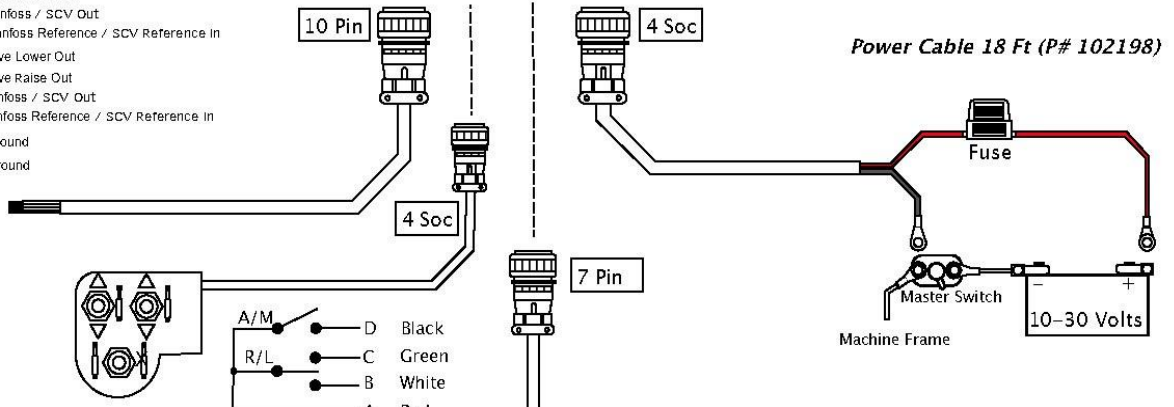


Valve Cable 18' (P# 102196)

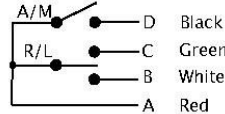
EG-2 Control Box P# CB-EG2-F



- | | | |
|---|------------|--|
| A | - Red/Blk | - Right Valve Lower Out |
| B | - Brown | - Right Valve Raise Out |
| C | - Yellow | - Right Danfoss / SCV Out |
| D | - Orange | - Right Danfoss Reference / SCV Reference In |
| E | - Blue | - Left Valve Lower Out |
| F | - Yel/Blk | - Left Valve Raise Out |
| G | - Org/Blk | - Left Danfoss / SCV Out |
| H | - Blue/Blk | - Left Danfoss Reference / SCV Reference In |
| I | - Black | - Valve Ground |
| J | - Red | - Valve Ground |

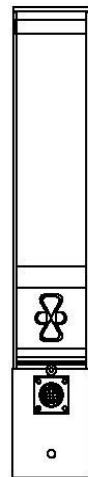


Optional Remote Cable 5' (P# EG-dR)



Y Cable (P#102765)

EG Series Receiver (P# RC-EG1(F))



Receiver Cable (P# P# 102440)

Slope Sensor Cable (P# 102141)

BS-10 Slope Sensor (P# BS-10(F))

